



Model Ci





# The New Era of Personal Mobility Has Finally Arrived.

The WHILL Model Ci is a revolutionary approach to power mobility that uniquely boosts user confidence and evokes an active, can-do lifestyle. Its premium performance and superb engineering provide versatility and reliability to experience all-day adventures.

From socializing with friends and family to exploring the great outdoors, Model Ci empowers users to enjoy their world freely both indoors and out.

Powerful and agile, the Model Ci is exhilarating and fun to drive. Its distinctive design allows you to be you.

Pursue life's adventures with the Model Ci Personal EV.

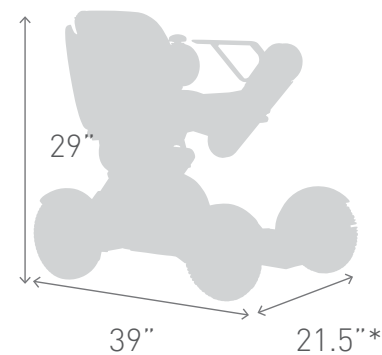




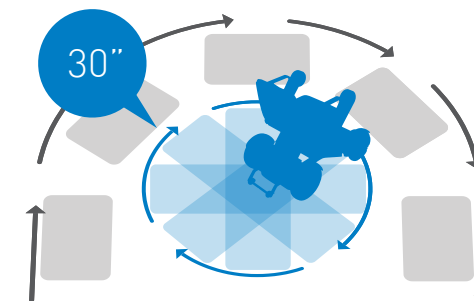


# Refuse to Accept Limitations

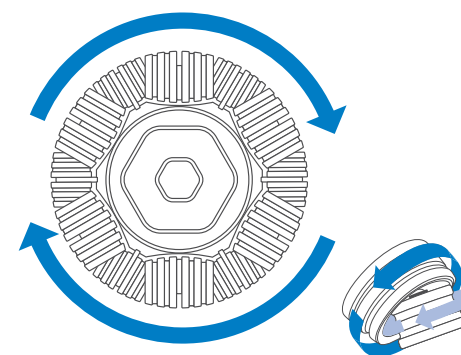
With its compact frame, patented front omni-wheels, and responsive controller, Model Ci has the maneuverability to effortlessly access and navigate confined spaces.



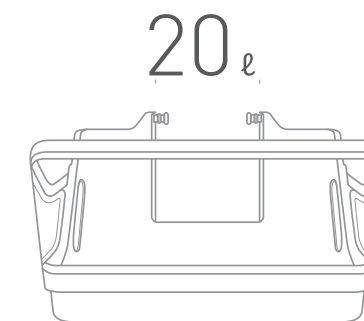
Smaller footprint than traditional power mobility devices.



Up to a 45% tighter turning radius than tiller operated mobility devices.



Patented front omni-wheels for tight turning and superb terrain coverage.



Large under seat basket to securely store your belongings and groceries.

\*16" seat width = 21.5" / 18" seat width = 23.5"



# Get Out and Adventure

Equipped with two powerful motors and engineered for superb stability, effortlessly go from indoor activities to navigating trails and surrounding yourself with nature.



\*Driving range of 10 miles will vary due to user weight, drive surface, terrain, ambient temperature, speed setting, and battery charge and condition.



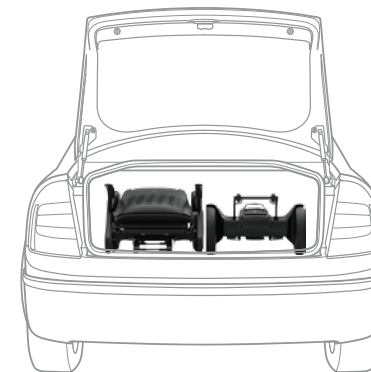




## Live Unpredictably

Model Ci quickly disassembles into three lightweight components for transport in any vehicle with room to spare. Assembly is just as easy to get you quickly moving again at your destination.

Quickly Disassemble



Load Simply



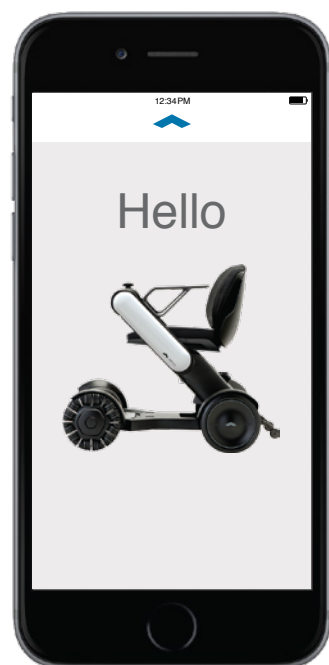
Store Neatly

\*16" seat width = 31 LB, 18" seat width = 33LB  
 \*\*Without battery. Battery weight = 6 LB.



# Connect Intelligently

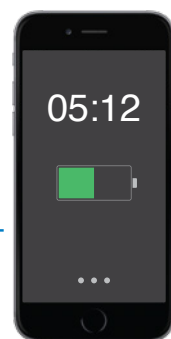
Equipped with intelligent innovations, such as the very latest in app controls and mobile data network connectivity, for greater independence and premium support.



Control remotely and manage speed settings with the iPhone and Android\* app.



Lock/Unlock your device with the WHILL Smart Key or iPhone and Android app.



Charge your mobile devices with a built-in USB port.

\*Android app currently does not offer remote driving capabilities.

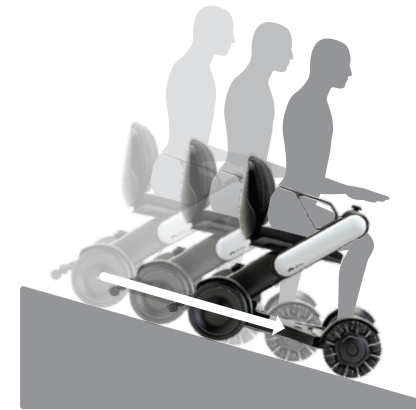






## Drive with Peace of Mind

Keep engaged in your activities and embrace your surroundings by knowing Model Ci will provide the necessary response and feedback to keep you riding safe.



Electromagnetic brakes provide safe stopping, even on inclines.



An anti-sway system keeps you driving straight on side slopes.



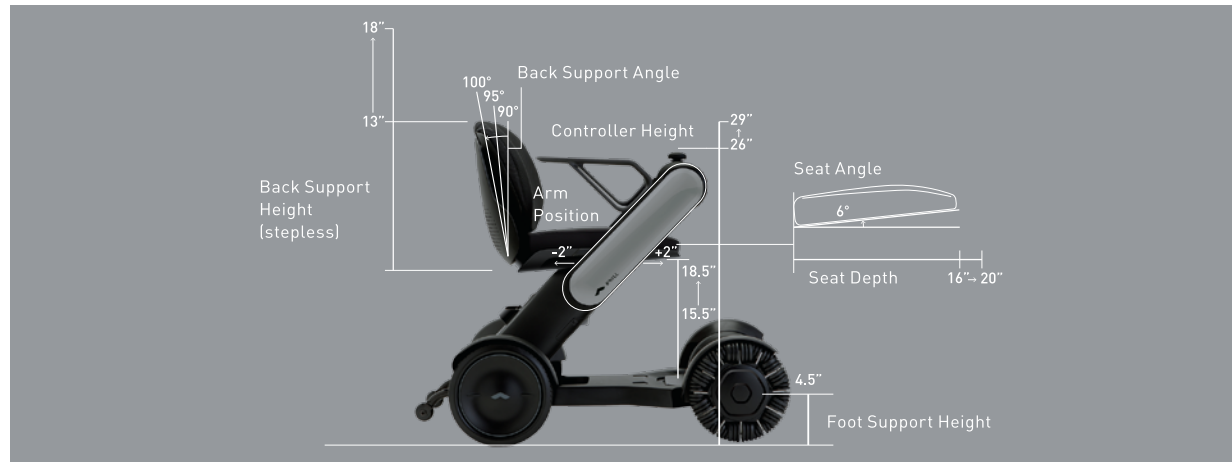
A built-in horn notifies others of your presence to avoid accidents. Audible messages notify you of operational errors.



Arms and footrest flip up for safe easy access to the seat.

# The Right Fit

Model Ci can be easily adjusted from seat height and back support angle to controller position (right or left drive) to create a comfortable driving experience.



# Specifications

## Performance Specifications

Driving Range	Up to 10 Miles	Turning Radius	29.9"
Maximum Speed	5 MPH	Obstacle Clearance	2"
Drive System	Two Motor Drive System	Ground Clearance	2"
Incline Capability	10°	Braking System	Electromagnetic
Controller	WHILL Control System	Max Weight Capacity	250 LB

## Dimensional Specifications

Chair Weight	16" Seat = 112 LB / 18" Seat = 114 LB	Front Wheel Diameter	9.8" Omni-wheel
Chair Width	16" Seat = 21.5" / 18" Seat = 23.5"	Rear Wheel Diameter	10.5"
Chair Length	38.8"	Rear Tires	Non-Puncture

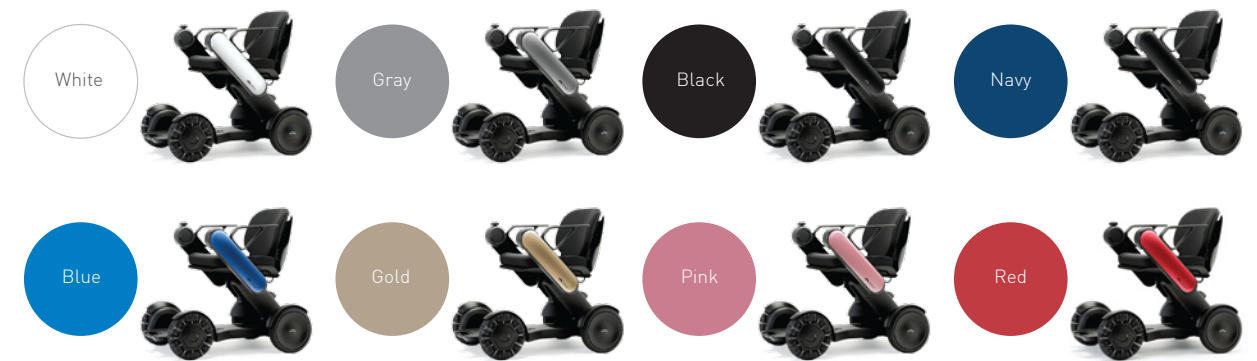
## Other Specifications

Charging Time	5 Hours	Operating Conditions	5°F to 104°F
Battery Charger	Lithium-ion (25.2V 10Ah)	Tail Lamps	LED Light (Red)
Seat Cushions	16"x16", 16"x18", 18"x18"	Horn	Built-In
USB Port	Single	Lap Belt	Optional

The information contained herein is correct at the time of printing, and we reserve the right to alter specifications without prior notice.

# Customization

Match your personality and style with eight color options.



# Accessories to Keep You Moving



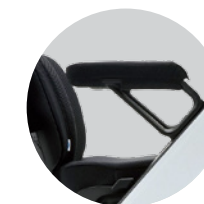
Smart Key



Side Bag



Lap Belt



Armrest Pad



Spare Battery



Joystick Controller



Walking Stick Holder



Footrest Adapter

NOTE: Accessories shown are available for Model Ci only.



# Design your own road

[www.whill.us](http://www.whill.us)

WHILL Inc.  
285 Old County Road, #6, San Carlos, CA 94070  
(844) 699-4455 [info@whill.us](mailto:info@whill.us)

The WHILL Model Ci is not considered to be a medical device and has not been submitted to the Food and Drug Administration for review or clearance.

740-02270